



# Rear Strut Brace

For '00 Celicas (ZZT230,  
ZZT231)

Instructions

Please follow the instructions carefully.

Please do not throw away the instructions. Keep them with the vehicle for future use.

TRD USA Part Number  
00602-53606-100

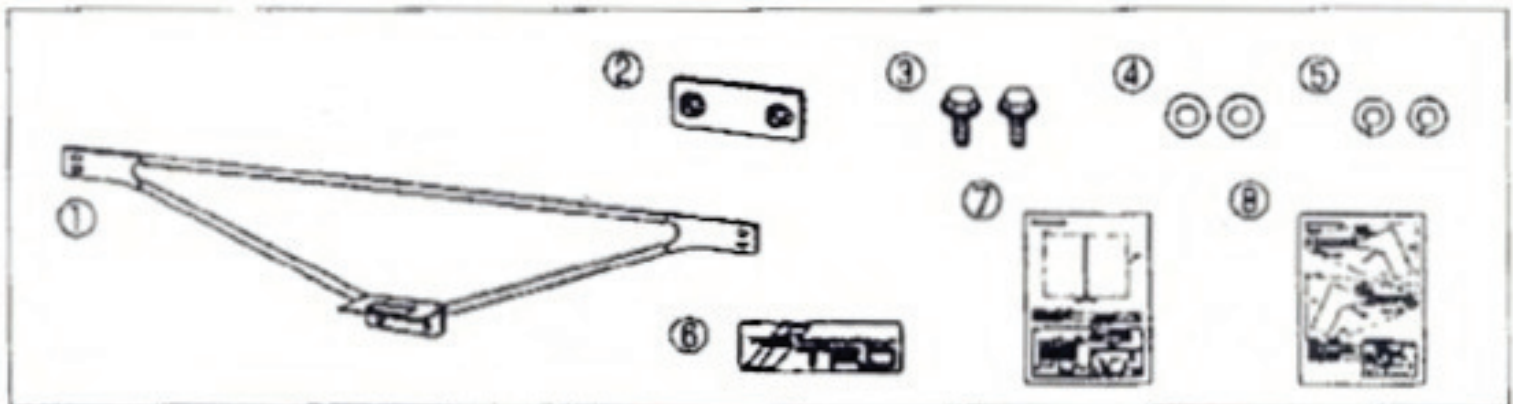
Toyota Genuine Part Number  
53606-ZT300

## Parts

No	Description	Qty.
1	Rear Strut Brace	1
2	Plate	1
3	Bolt (M8 x 30)	2
4	Flat Washer	2
5	Lock Washer	2
6	TRD emblem	1
7	Template, Center	1
8	Template, Sides	1

## Tools

Screwdriver (+)	Screwdriver (-)
Magnetic Pickup Tool	Saw
8mm Drill Bit	Drill
10mm Socket	Ratchet
Tape	Scissors



## Instruction

5

### Section 1. Disassembly of Rear Trunk Trim

1. Remove the center trim. There are two clips that can be seen from above. To remove the clips, push the button and pull out the clip. The center trim is still held on from the bottom by two clips. Lift the center trim straight up.

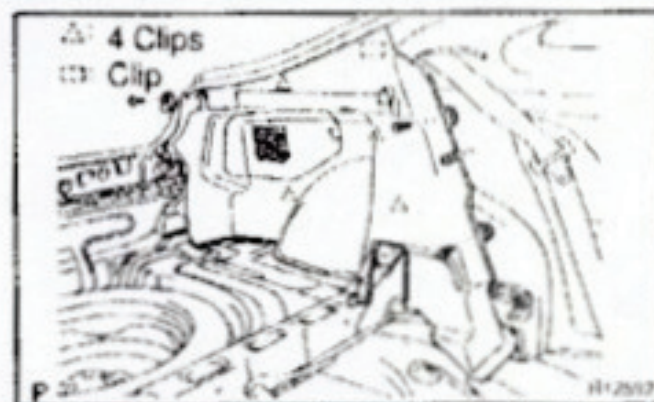
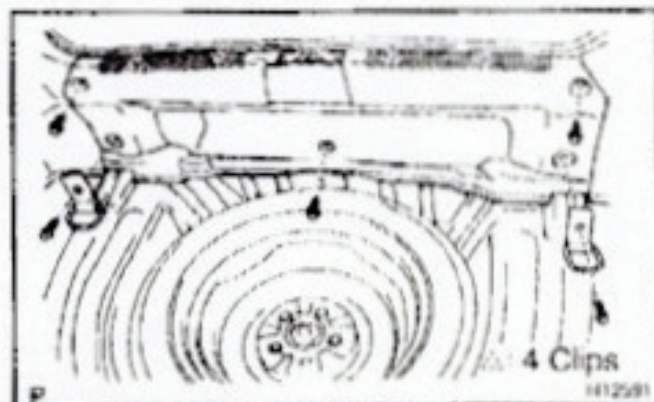
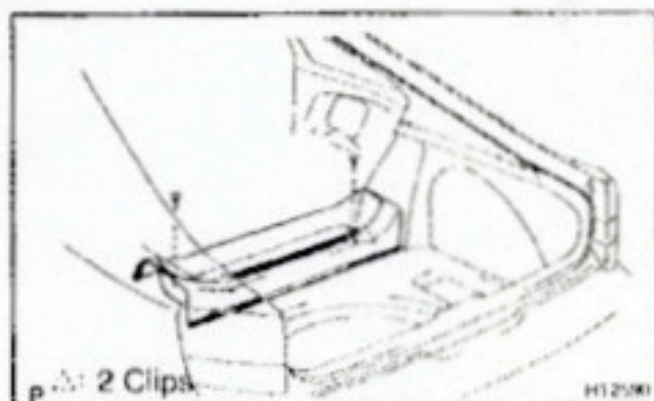
#### CAUTION

Keep all of the factory hardware as much of it is reused in the installation of the new kit.

2. Remove the rear trim. Remove the cargo net hooks. With a screwdriver, turn the screw on the center clip a half turn and then remove the clip. Remove the two upper clips. Lift the rear trim up and out.
3. Remove the side trims. Remove the cargo net hooks. Tilt the rear seats forward and find the two clips on each trim. With the screwdriver, turn the clip a half turn and pull out the clips. Pull the trims off of the vehicle. Remove the Seat Latch from both sides.

#### CAUTION

When removing the passenger side trim, disconnect the light connector.



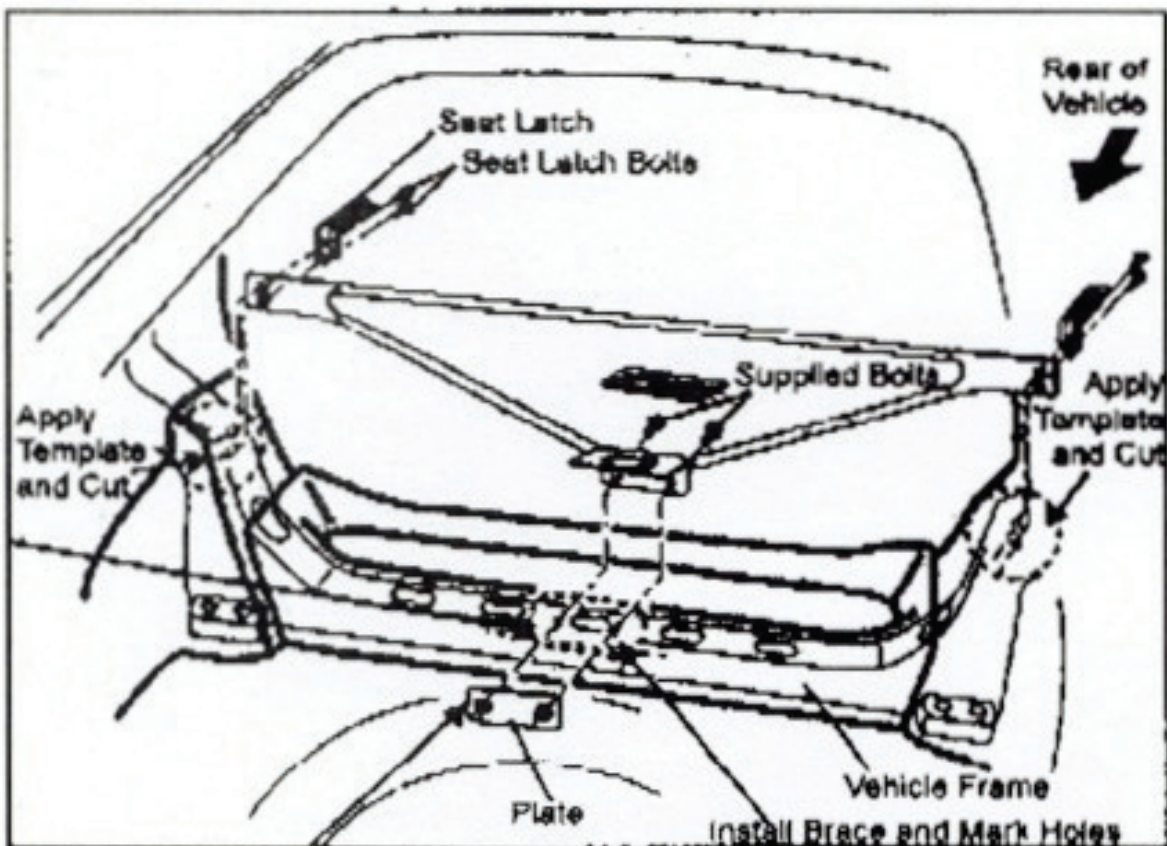
## **Section 2. Rear Strut Brace**

### **Installation.**

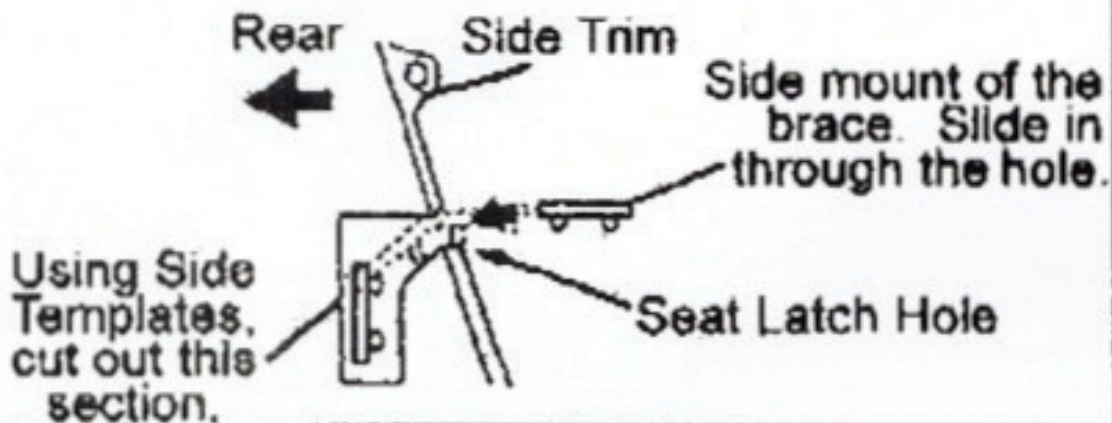
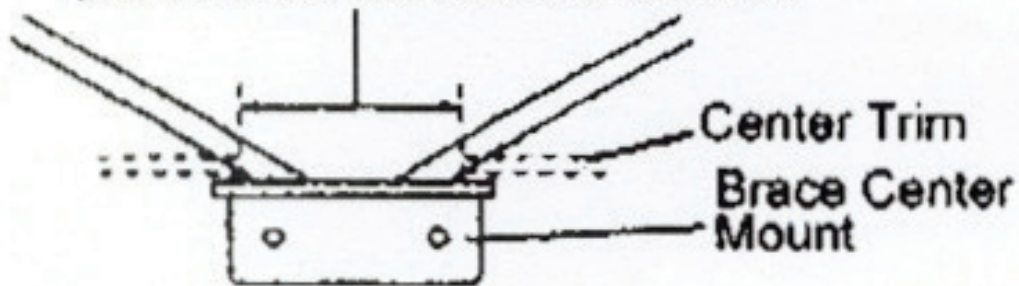
1. Place the Rear Strut Brace on to the vehicle and align the center of the brace with the center hole of the vehicle. Mark the centers of the two holes and remove the bar. Drill 2 8mm (21/64) holes there. Pickup the metal shavings with the magnetic pickup tool.
2. Cut out the center template and tape it onto the center trim. Cut out the prescribed area.
3. Cut out the prescribed area from the side trims using the supplied side templates. Loosely replace the side trims, but do not clip.
4. Slide the plate into the vehicle's channel frame.
5. Place the center trim on the strut brace.
6. Place the strut brace and the center trim on the vehicle. Begin with the brace horizontal, such that the center mount of the brace is rotated to the rear. Slide the side mounts of the brace into the holes cut out by using the templates. Slide and rotate the bar into position.
7. Secure the tower bar by putting the supplied bolts through the bar, the frame, and the plate and tightening. You may need to put two fingers through the hole in the strut bar and the frame to hold the plate in place while installing the center bolts.
8. Place the factory rear seat hooks over the strut brace and replace the factory bolts.
9. Secure all of the trim and replace the hardware.

10. Apply the TRD emblem.

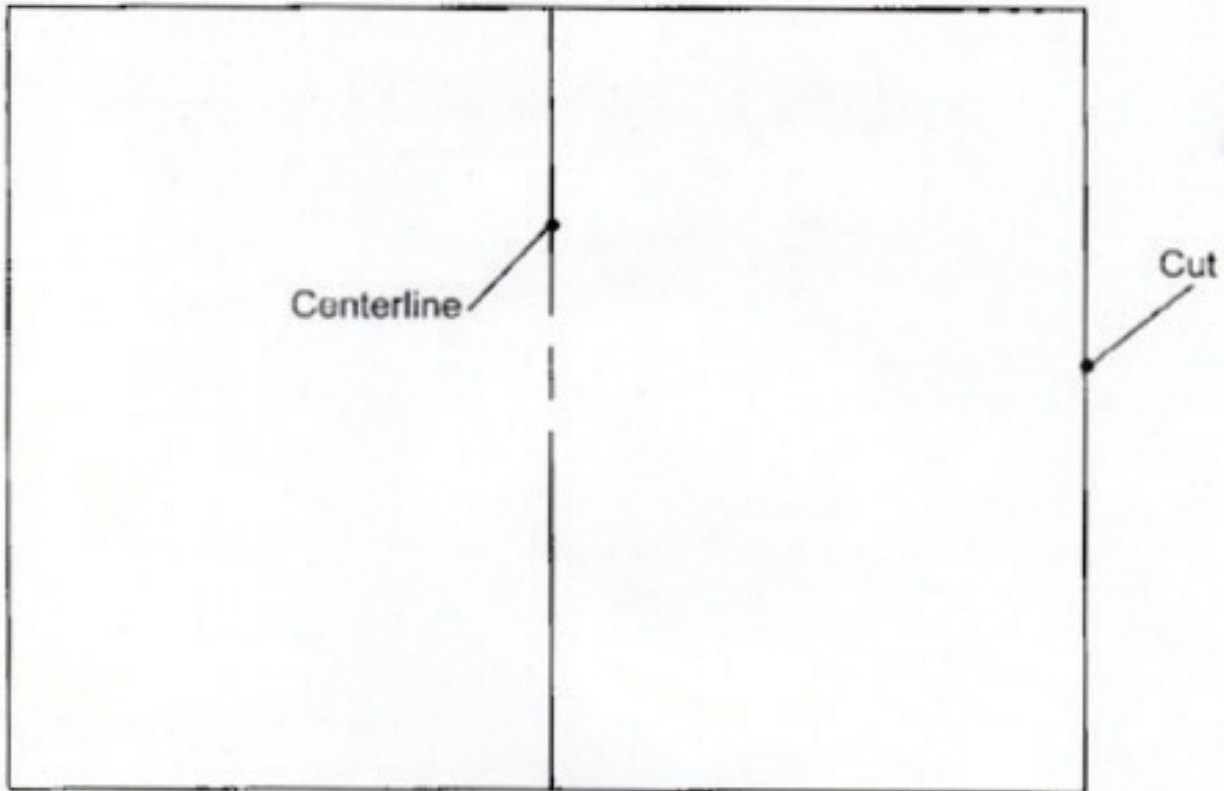
- Should you need to remove or reinstall the strut bar. Please remember to remove the TRD emblem to access the center bolts.



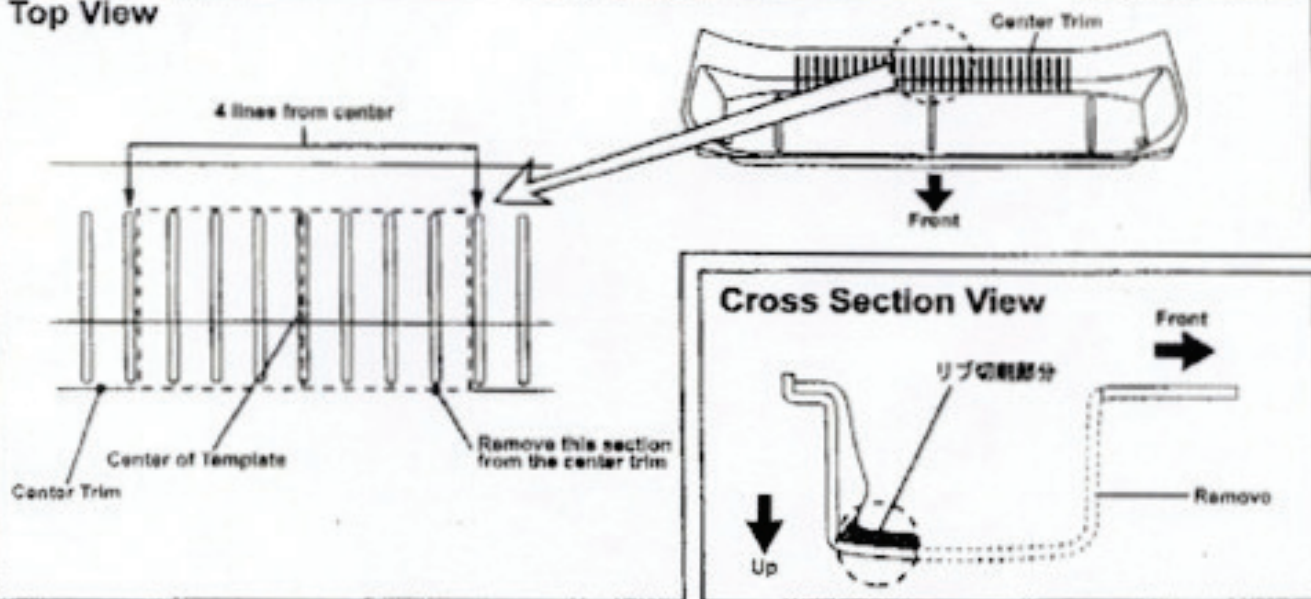
Using the center template, cut out this section from the center trim.



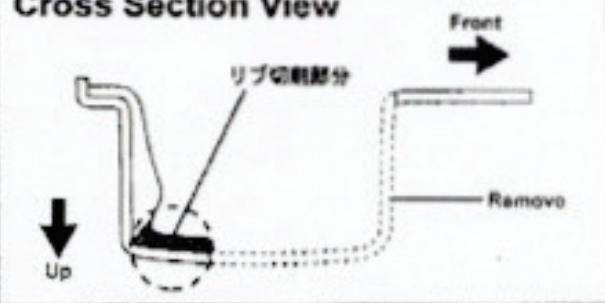
# Center Template



## Top View

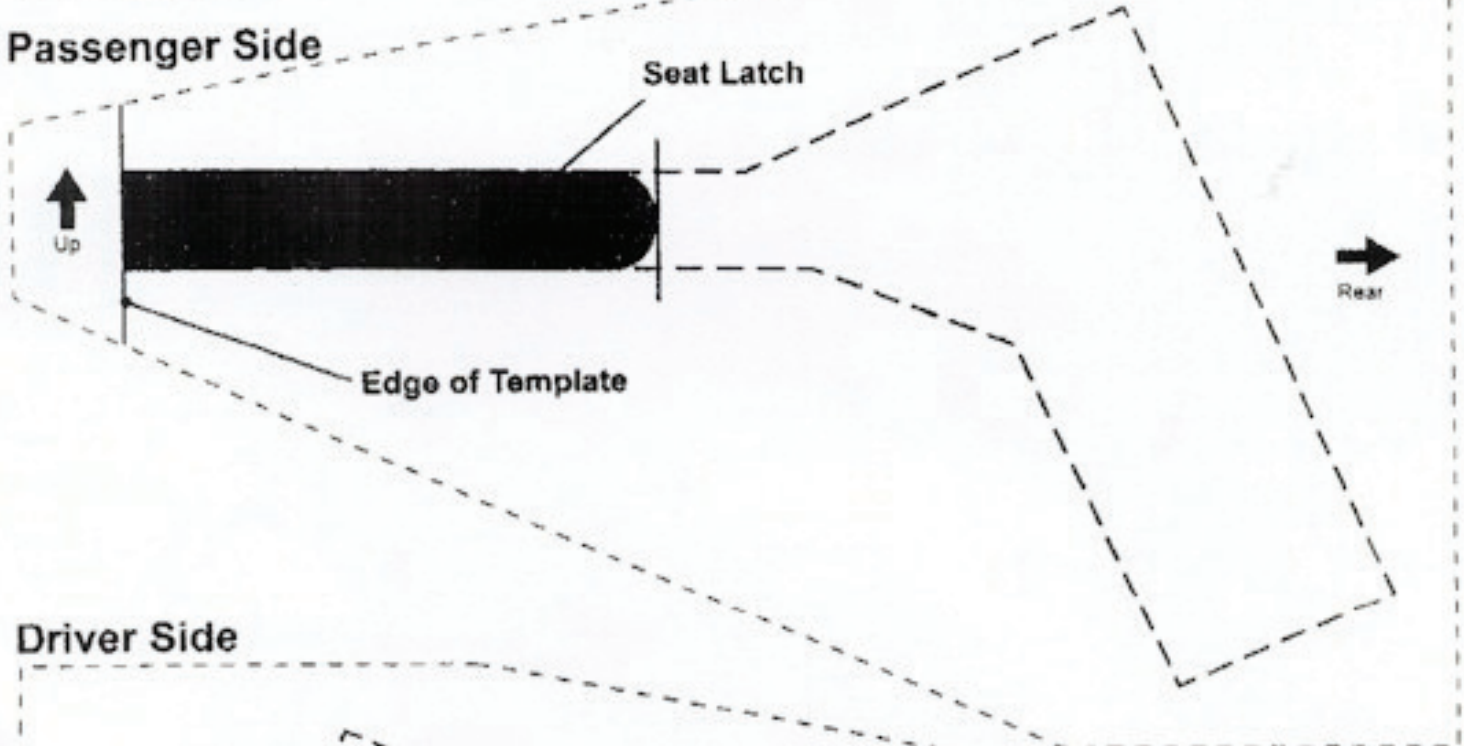


## Cross Section View



# Side Templates

## Passenger Side



## Driver Side

